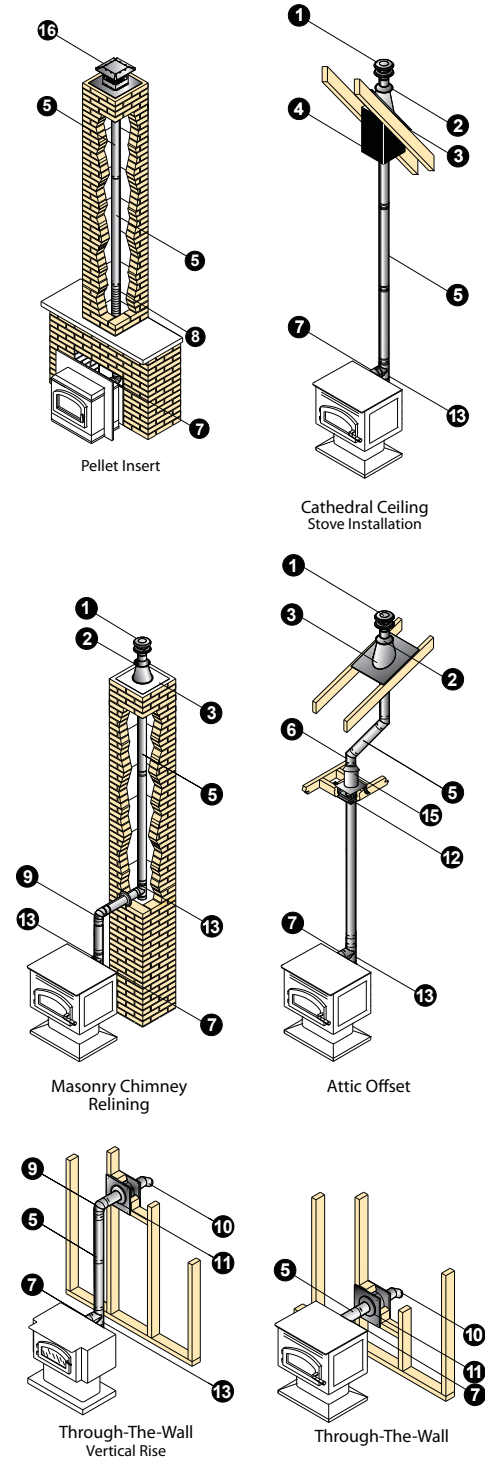


## Typical Installations

\*updated typical installations\*



Installation Key			
1	Vertical Cap	9	90° Elbow
2	Storm Collar	10	Horizontal Cap
3	Flashing	11	Wall Thimble
4	Cathedral Ceiling Support Box	12	Ceiling Support Firestop Spacer
5	Straight Length Pipe	13	Tee w/ Clean-Out Tee Cap
6	45° Elbow	14	Wall Strap
7	Appliance Adapter	15	Attic Insulation Shield
8	60" Flexible Length	16	Prairie Termination Cap

- Refer to our Typical Venting Installation drawings to select the appropriate component parts for your installation.
- The inner pipe diameter should match the outlet size of the appliance. For installations that require 4" vent and the appliance has a 3" outlet, use an Increaser Adapter 3"-4".
- Check the appliance manufacturer's installation instructions to confirm which types of vent configurations are permitted (i.e. horizontal, vertical, chimney reline, etc.). Also, check for any venting restrictions such as maximum horizontal run, minimum and maximum vertical rise, maximum offset, etc.
- Be fire safe! Maintain the minimum clearances (air-space) between the vent pipe and nearby combustibles, as specified in the appliance manufacturer's installation instructions. Use proper support and bracing. Follow local building codes and have your venting system inspected.

