

# PELLET STOVES AND INSERTS



# THE MINI

SMALL PELLETT STOVE



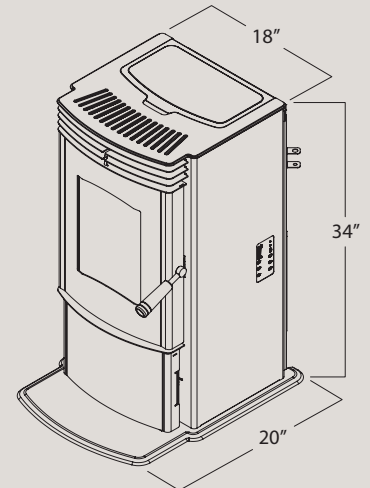
Mini Freestanding Pellet Stove

## Design Features

- Automatic controls
- "Run Quiet" system
- Large viewing area (130 sq. in.)
- Large ash pan
- Comes with bolt-on hearth pad
- Comes standard with ignitor
- Tri-mode thermostat
- Large heat exchanger
- Levelling legs
- 130 cfm variable speed fan
- Optional outside combustion blower kit
- Optional stainless steel sides

## Stove Details

<b>BTU Max Input</b>	30,000 BTU
<b>Heating Area</b>	1,200 ft <sup>2</sup>
<b>Efficiency</b>	75%
<b>Glass Size</b>	130 in <sup>2</sup>
<b>EPA Emissions</b>	1.6 g/hr
<b>Hopper Capacity</b>	48 lbs
<b>Stove Dimensions</b>	18"w 20"d 34"h





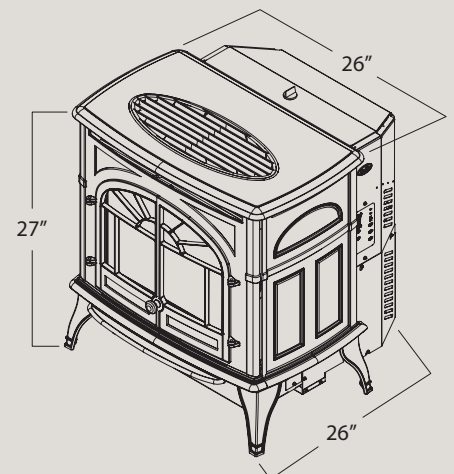
Empress Freestanding Cast Iron Pellet Stove, Painted Black

### Design Features

- Available in multiple finishes
  - Painted Metallic Black
  - Antique Chestnut, Enamel
- Large viewing area 250 in<sup>2</sup>
- Cast iron construction
- Tri-mode thermostat
- Optional fire screen
- Optional outside combustion blower kit
- Optional log set
- Large heat exchanger
- 105 cfm variable speed fan
- Operates with cast doors open or closed

### Stove Details

<b>BTU Max Input</b>	35,000 BTU
<b>Heating Area</b>	1,600 ft <sup>2</sup>
<b>Efficiency</b>	83.5%
<b>Glass Size</b>	250 in <sup>2</sup>
<b>EPA Emissions</b>	1.7 g/hr
<b>Hopper Capacity</b>	55 lbs
<b>Stove Dimensions</b>	26" w 26" d 27" h



# THE EF3

MEDIUM+ PELLET STOVE



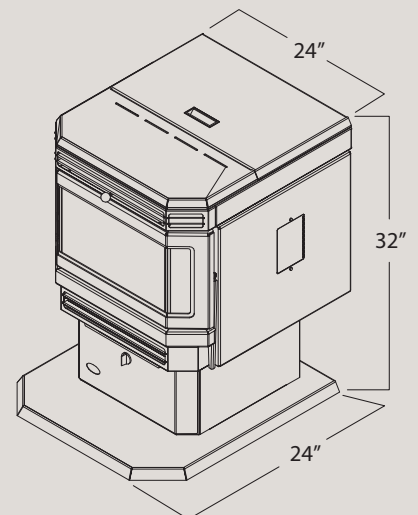
EF3 Freestanding Pellet Stove, Adjustable Hearth Pad

## Design Features

- Door and Louver Trim Options
  - Painted Metallic Black, Standard
  - Nickel Plated
- Large glass size (185 in<sup>2</sup>)
- Tri-mode thermostat
- Concealed door handle
- Large, full-pedestal ash pan
- Optional outside combustion blower kit
- Optional log set
- Large heat exchanger
- Adjustable Hearth Pad
- 160 cfm variable speed fan

## Stove Details

<b>BTU Max Input</b>	40,000 BTU
<b>Heating Area</b>	1,800 ft <sup>2</sup>
<b>Efficiency</b>	75.8%
<b>Glass Size</b>	185 in <sup>2</sup>
<b>EPA Emissions</b>	1.9 g/hr
<b>Hopper Capacity</b>	55 lbs
<b>Stove Dimensions</b>	24"w 24"d 32"h





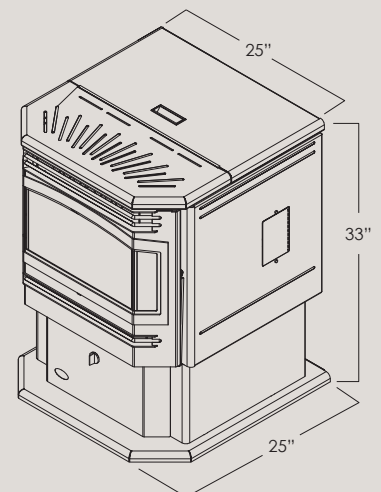
Meridian Freestanding Pellet Stove

### Design Features

- Door and louver trim options
  - Painted Metallic Black, Standard
  - Nickel Plated
- Large glass size (185 in<sup>2</sup>)
- Large arched bay door
- Tri-mode thermostat
- Remote thermostat compatible
- Large heat exchanger
- Large, full -pedestal ash pan
- 160 cfm variable speed fan
- Optional log set

### Stove Details

<b>BTU Max Input</b>	45,000 BTU
<b>Heating Area</b>	2,000 ft <sup>2</sup>
<b>Efficiency</b>	75.8%
<b>Glass Size</b>	185 in <sup>2</sup>
<b>EPA Emissions</b>	1.1 g/hr
<b>Hopper Capacity</b>	55 lbs
<b>Stove Dimensions</b>	25"w 25"d 33"h



# THE M55 CAST

LARGE MULTI-FUEL PELLET STOVE



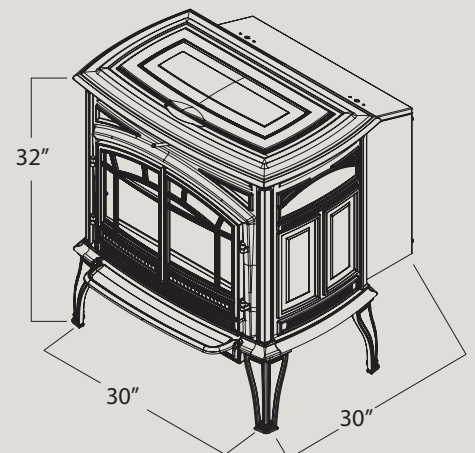
M55 Cast Iron Freestanding Multi-Fuel Pellet Stove, Painted Black, with Optional Side Shelves

## Design Features

- Available in multiple finishes
  - Painted Black
  - Antique Chestnut, Enamel
- Cast iron construction
- Tri-mode thermostat
- Large glass size (231 in<sup>2</sup>)
- Large hopper capacity (60 lbs)
- Optional side shelves
- Optional brick liner
- Optional log set
- 300 cfm variable speed fan
- Operates with cast doors open or closed

## Stove Details

<b>BTU Max Input</b>	55,000 BTU
<b>Heating Area</b>	2,500 ft <sup>2</sup>
<b>Efficiency</b>	76.6%
<b>Glass Size</b>	231 in <sup>2</sup>
<b>EPA Emissions</b>	2.0 g/hr
<b>Hopper Capacity</b>	60 lbs
<b>Stove Dimensions</b>	30"w 30"d 32"h





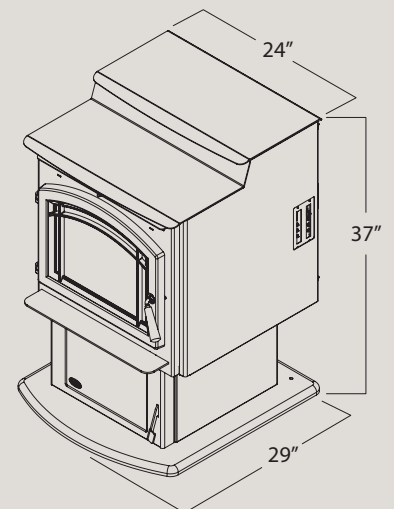
M55 Steel Freestanding Multi-Fuel Pellet Stove

### Design Features

- Large Glass Size (185 in<sup>2</sup>)
- Huge 80 lbs hopper capacity
- Fluted cast iron firebox liner
- Remote thermostat compatible
- Tri-mode thermostat
- Large, full -pedestal ash pan
- Optional brick liner
- Optional log set
- Optional wooden door handle
- Optional hopper extension kit (120lbs.)
- 300 cfm variable speed fan

### Stove Details

<b>BTU Max Input</b>	55,000 BTU
<b>Heating Area</b>	2,500 ft <sup>2</sup>
<b>Efficiency</b>	76.6%
<b>Glass Size</b>	169 in <sup>2</sup>
<b>EPA Emissions</b>	2.0 g/hr
<b>Hopper Capacity</b>	80 lbs
<b>Stove Dimensions</b>	24"w 29"d 37"h



# THE MAXX-M | MAXX

EXTRA LARGE PELLET STOVES



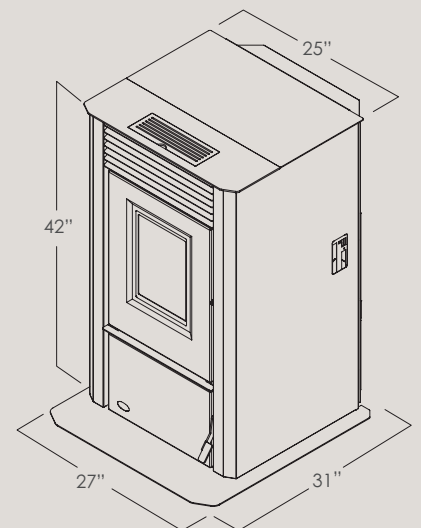
MAXX Freestanding Pellet Stove

## Design Features

- Tri-mode operating system
- Large 1320 in<sup>2</sup> heat exchanger
- Dual chamber ash pan removal
- Automatic controls
- Remote thermostat compatible
- Massive 130 lbs hopper capacity
- Tri-mode thermostat
- 455 cfm variable speed fan
- MAXX-M is multi-fuel compatible

## Stove Details

Model	MAXX-M	MAXX
BTU Max Input	60,000 BTU	70,000 BTU
Heating Area	2,500 ft <sup>2</sup>	2,700 ft <sup>2</sup>
Efficiency	79.5%	86%
Glass Size	117 in <sup>2</sup>	117 in <sup>2</sup>
EPA Emissions	2.3 g/hr	2.3 g/hr
Hopper Capacity	130 lbs	130 lbs
Stove Dimensions	27" w 31" d 42" h	





# FREESTANDING SPECIFICATIONS

## Performance Specifications

Model	Mini	Empress	EF3	Meridian	M55 Cast	M55 Steel	MAXX-M	MAXX
BTU Max Input	30,000 BTU	35,000 BTU	40,000 BTU	45,000 BTU	55,000 BTU	55,000 BTU	60,000 BTU	70,000 BTU
Heating Area	1,200 ft <sup>2</sup>	1,600 ft <sup>2</sup>	1,800 ft <sup>2</sup>	2,000 ft <sup>2</sup>	2,500 ft <sup>2</sup>	2,500 ft <sup>2</sup>	2,500 ft <sup>2</sup>	2,700 ft <sup>2</sup>
Efficiency	75%	83.5%	75.8%	75.8%	76.6%	76.6%	79.5%	86%
Glass Size	130 in <sup>2</sup>	250 in <sup>2</sup>	185 in <sup>2</sup>	185 in <sup>2</sup>	231 in <sup>2</sup>	169 in <sup>2</sup>	117 in <sup>2</sup>	117 in <sup>2</sup>
EPA Emissions	1.6 g/hr	1.7 g/hr	1.9 g/hr	1.1 g/hr	2.0 g/hr	2.0 g/hr	2.3 g/hr	2.3 g/hr
Hopper Capacity	48 lbs	55 lbs	55 lbs	55 lbs	60 lbs	80 lbs	130 lbs	130 lbs
Weight	238 lbs	230 lbs	240 lbs	273 lbs	480 lbs	300 lbs	325 lbs	325 lbs
Convection Fan	130 CFM	105 CFM	160 CFM	160 CFM	300 CFM	300 CFM	455 CFM	455 CFM

## Stove Dimensions\*

Model	Mini	Empress	EF3	Meridian	M55 Cast	M55 Steel	MAXX-M	MAXX
Stove Width	17"	26"	24"	25"	30"	24"	27"	27"
Stove Height	34"	27"	32"	33"	32"	37"	42"	42"
Stove Depth	20"	26"	24"	25"	30"	29"	31"	31"

## Clearance to Combustibles\*

Model	Mini	Empress	EF3	Meridian	M55 Cast	M55 Steel	MAXX-M	MAXX
Min. distance to the stove's sides	8"	8"	8"	6"	9"	12"	12"	12"
Min. distance behind the stove	4"	3"	2"	3"	3"	3"	4"	4"
Min. distance above the stove	48"	48"	48"	48"	48"	48"	48"	48"
Min. distance corner to wall	3"	3"	2"	2"	3"	3"	4"	4"

\* Refer to your owners manual for detailed measurements.

# THE EMPRESS

MEDIUM PELLET INSERT



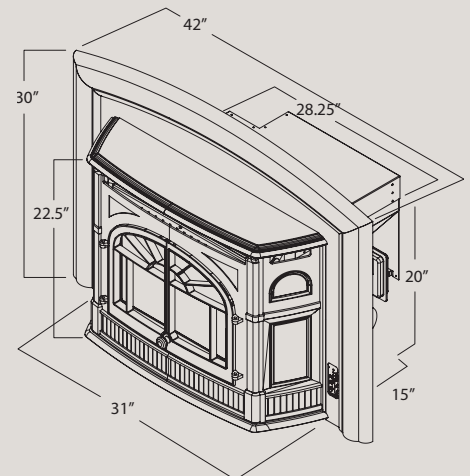
Empress Pellet Fireplace Insert, Cast Iron, Painted Black

## Design Features

- Available in multiple finishes
  - Painted Metallic Black
  - Antique Chestnut, Enamel
- Cast iron construction
- Adjustable hopper height
- Large viewing area 250 in<sup>2</sup>
- Shallow front extension
- Tri-mode thermostat
- Optional log set
- 160 cfm variable speed fan
- Operates with cast doors open or closed

## Fireplace Details

<b>BTU Max Input</b>	34,000 BTU
<b>Heating Area</b>	1,500 ft <sup>2</sup>
<b>Efficiency</b>	83.1%
<b>Glass Size</b>	250 in <sup>2</sup>
<b>EPA Emissions</b>	1.3 g/hr
<b>Hopper Capacity</b>	55 lbs
<b>Install Dimensions</b>	28.25"w 15"d 20"h





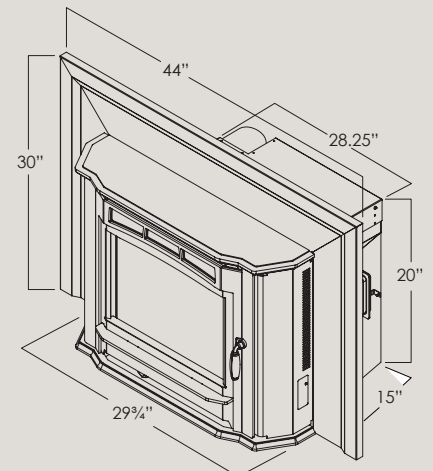
Milan Pellet Fireplace Insert

### Design Features

- Large viewing area (249 sq. in.)
- Cast iron heat exchanger
- Cast iron firebox liner
- Optional outside combustion blower kit
- Modern design
- Optional log set
- Quiet convection system
- Formed steel surround panel
- Tri-mode thermostat
- 160 cfm variable speed fan

### Fireplace Details

<b>BTU Max Input</b>	34,000 BTU
<b>Heating Area</b>	1,500 ft <sup>2</sup>
<b>Efficiency</b>	83%
<b>Glass Size</b>	250 in <sup>2</sup>
<b>EPA Emissions</b>	1.3 g/hr
<b>Hopper Capacity</b>	55 lbs
<b>Install Dimensions</b>	28.25" w 15" d 20" h



# THE EF3

MEDIUM+ PELLET INSERT



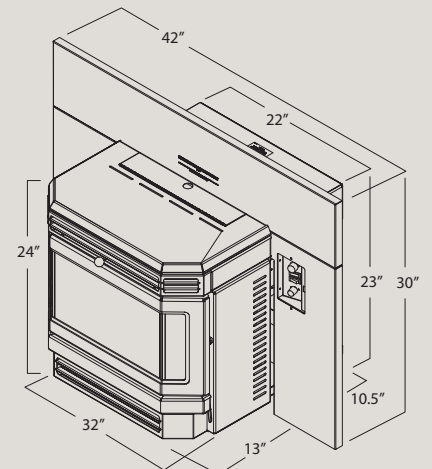
EF3 Pellet Fireplace Insert, Standard Surround Panel

## Design Features

- Door and louver trim options
  - Painted Metallic Black, Standard
  - Nickel Plated
- Large glass size (185 in<sup>2</sup>)
- Concealed door handle
- Optional log set
- Large heat exchanger
- Modern surround panel
- Zero-clearance compatible
- Optional oversize surround panel
- Tri-mode thermostat
- 160 cfm variable speed fan

## Fireplace Details

<b>BTU Max Input</b>	40,000 BTU
<b>Heating Area</b>	1,800 ft <sup>2</sup>
<b>Efficiency</b>	75.8%
<b>Glass Size</b>	185 in <sup>2</sup>
<b>EPA Emissions</b>	1.9 g/hr
<b>Hopper Capacity</b>	55 lbs
<b>Install Dimensions</b>	22" w 10.5" d 23" h





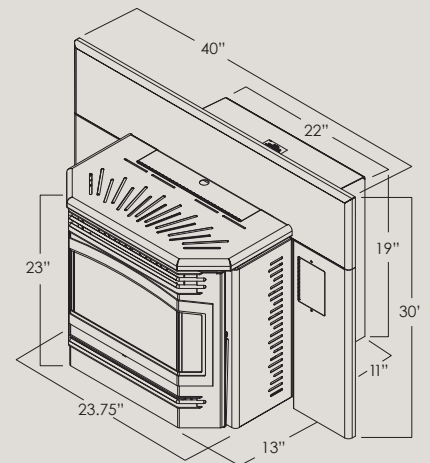
Meridian Pellet Fireplace Insert, Nickel Door, Nickel Trim, Standard Surround

### Design Features

- Door and louver trim options
  - Painted Metallic Black, Standard
  - Nickel Plated
- Large arched bay door
- Remote control compatible
- Large heat exchanger
- Optional log set
- Zero-clearance compatible
- Tri-mode thermostat
- 160 cfm variable speed fan

### Fireplace Details

<b>BTU Max Input</b>	45,000 BTU
<b>Heating Area</b>	2,000 ft <sup>2</sup>
<b>Efficiency</b>	75.8%
<b>Glass Size</b>	185 in <sup>2</sup>
<b>EPA Emissions</b>	1.1 g/hr
<b>Hopper Capacity</b>	55 lbs
<b>Install Dimensions</b>	22"w 11"d 19"h



# THE M55 CAST

LARGE MULTI-FUEL PELLET INSERT



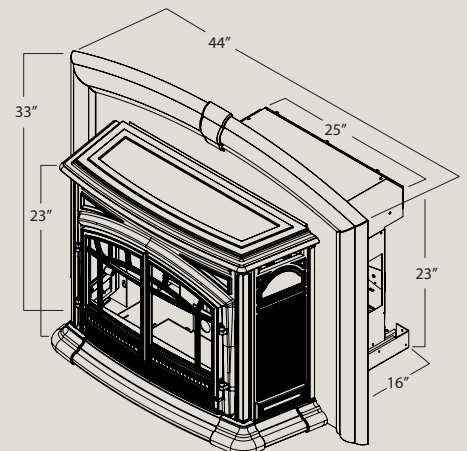
M55 Cast Iron Multi Fuel Fireplace Insert, Painted Black

## Design Features

- Available in multiple finishes
  - Painted Metallic Black
  - Antique Chestnut, Enamel
- Cast iron construction
- Large glass size (231 in<sup>2</sup>)
- Multi-fuel compatible
- Optional log set
- Optional brick liner
- Optional service rail kit
- Air wash system for cleaner glass
- 300 cfm variable speed fan
- Operates with cast doors open or closed

## Fireplace Details

<b>BTU Max Input</b>	55,000 BTU
<b>Heating Area</b>	2,500 ft <sup>2</sup>
<b>Efficiency</b>	83.5%
<b>Glass Size</b>	231 in <sup>2</sup>
<b>EPA Emissions</b>	1.0 g/hr
<b>Hopper Capacity</b>	60 lbs
<b>Install Dimensions</b>	25"w 16"d 23"h



## Performance Specifications

Model	Empress	Milan	EF3	Meridian	M55 Cast
BTU Max Input	34,000 BTU	34,000 BTU	40,000 BTU	45,000 BTU	55,000 BTU
Heating Area	1,500 ft <sup>2</sup>	1,500 ft <sup>2</sup>	1,800 ft <sup>2</sup>	2,000 ft <sup>2</sup>	2,500 ft <sup>2</sup>
Efficiency	83.1%	83%	75.8%	75.8%	83.5%
Glass Size	250 in <sup>2</sup>	250 in <sup>2</sup>	185 in <sup>2</sup>	185 in <sup>2</sup>	231 in <sup>2</sup>
EPA Emissions	1.3 g/hr	1.3 g/hr	1.9 g/hr	1.1 g/hr	1.0 g/hr
Hopper Capacity	55 lbs	55 lbs	55 lbs	55 lbs	60 lbs
Convection Fan	160 CFM	160 CFM	160 CFM	160 CFM	200 CFM

## Minimum Installation Dimensions\*

Model	Empress	Milan	EF3	Meridian	M55 Cast
Width	28.25"	28.25"	22"	22"	25"
Height	20"	20"	23"	19"	23"
Depth	15"	15"	11"	11"	16"

## Clearance to Combustibles\*

Model	Empress	Milan	EF3	Meridian	M55 Cast
Center of unit to side wall	24"	24"	20"	20"	24"
Bottom of unit to bottom of 12" mantle	36"	36"	30"	29.5"	33"
Bottom to max. 3/4" combustible facing	0"	0"	0"	8"	0"
Side of unit to side facing	0"	0"	0"	8"	0"
Door to edge of floor protection	16" (18" CDN)	16" (18" CDN)	16" (18" CDN)	16" (18" CDN)	16" (18" CDN)
Side of unit to side of floor protection	6" (8" CDN)	6" (8" CDN)	6" (8" CDN)	6" (8" CDN)	6" (8" CDN)

\* Refer to your owners manual for detailed measurements.

# PELLET STOVES



*\*Some models not available in all territories*

# PELLET INSERTS

